



OUTDOOR DIGITAL SIGNAGE

LARGE SIZE FORMAT APPLIED SCREEN

CLASS	MODEL
46"	H467MSV

KEY FEATURES

- Special DOOH LCD Panel
- All Weather Capable
- Sunlight Readable
- Anti-Vandal Protection
- Air-Looping System
- Auto Brightness Control
- Remote Control (RS232)
- Easy to Service with Front Door Open
- Cabinet Housing Color : RAL7040



Broadcast your branding with Hyundai Digital Signage!

HYUNDAI's outdoor displays represent state-of-the-art display technology for any outdoor environment. Meeting the highest industrial standards they provide a high degree of operational reliability and superior quality image, which are essential preconditions for attracting the attention of your target audience.



SPECIFICATIONS

Model	H467MSV	
Panel	Screen Size (diagonal)	46"
	Active Display Area (inch mm)	40.08 x 22.54 1018.08 x 572.67
	Resolution	1920 x 1080
	Aspect Ratio	16:9
	Display Colors	16.7 M
	Brightness (cd/m ² ; typ.)	2500
	Contrast Ratio	5000:1
	Response Time (ms; GTG)	8
	Viewing Angle	178°/178°
	Lifetime (hours)	50,000
	Backlight type	LED
Input	VGA (15pin D-Sub)	1
	HDMI	1
	DVI	1
	RS-232C	1
Power	Operating Voltage	100 – 240VAC
	Consumption (typ.)	400W (Without PC)
	Consumption per nits (max.)	0.164W
	Heater Block (with PC Case)	850W / Peak 1.2KW
Features	Auto Cooling System	Yes
	Auto Heating System	Yes
	Anti-Vandal Glass	Yes (8mm = 3mm+3mm)
	Anti Reflection Coating	Yes
	Auto Brightness Sensor	Yes
Operation	Temperature (°C)	-30 ~ 50
	Humidity (%)	20 - 80
	Storage (°C)	-40 ~ 60
	OSD Language	10 Lang
Approvals	Ingress Protection	IP65
Dimension	Set (W x H x D), inch mm	47.64 x 30.09 x 9.23 1210 x 764.4 x 234.5
Weight	Set (lb kg)	192 87
Mounting	Wall mounting (Built-in)	
Computer	Option	

FEATURES

All Weather Capable

Equipped with an intelligent cooling and heating system, HYUNDAI's Outdoor Displays are well suited for withstanding any weather conditions from -30°C to +50°C.

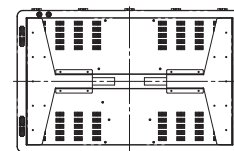
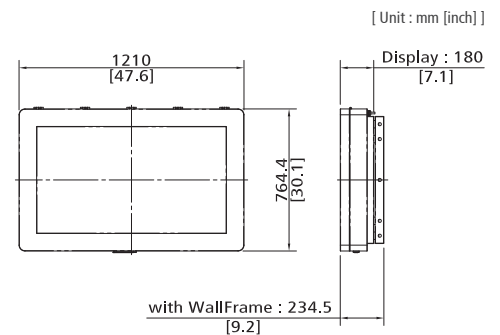
Sunlight Readable

HYUNDAI provides special displays which are based on the Optical Bonding for installatons in environment with the birghtest lightning conditions. Make your messages and images clear and readable under even bright sunlight.

Anti-Vandal Protection

Thanks to a special tempered security glass. HYUNDAI's Outdoor Displays are protected against any vandalism attacks using Anti-Vandal glass bonding technique improving in durability from outside damage.

DIMENSIONS



Specifications and design are subject to change without notice. See our website for detailed information.

UPDATE : AUG. 2015

HEAD OFFICE - HYUNDAI IT CO., LTD.
 S-20 Garden5 Tool 8F, Chungmin-ro, Songpa-gu, Seoul,
 138-962 Korea
 Tel. +82 70 7008 0110 E-mail: prio123@hyundaiit.com
 www.hdit.co.kr

HYUNDAI IT AMERICA CORP.
 2051 Junction AVE., Suite 112 San Jose, CA 95131, USA
 Tel. +1 408 954 8920 email : sales@hyundaita.com
 www.hyundaiit.com

HYUNDAI IT EUROPE GMBH
 Borsig Str. 11-13
 65205 Wiesbaden, Germany
 Tel. +49(0) 6122-70342-10 email : info@hyundaiit.eu
 www.hyundaiit.eu

HYUNDAI IT JAPAN
 Kawaziri Bldg 2F, 534 Waseda Tsurumaki-cho,
 Shinjuku-ku, Tokyo, Japan
 Tel. +81-3-6273-9652 email : sales@hyundaiit.co.jp
 www.hyundaiit.com